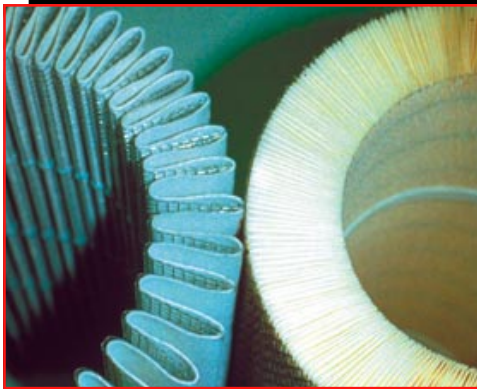
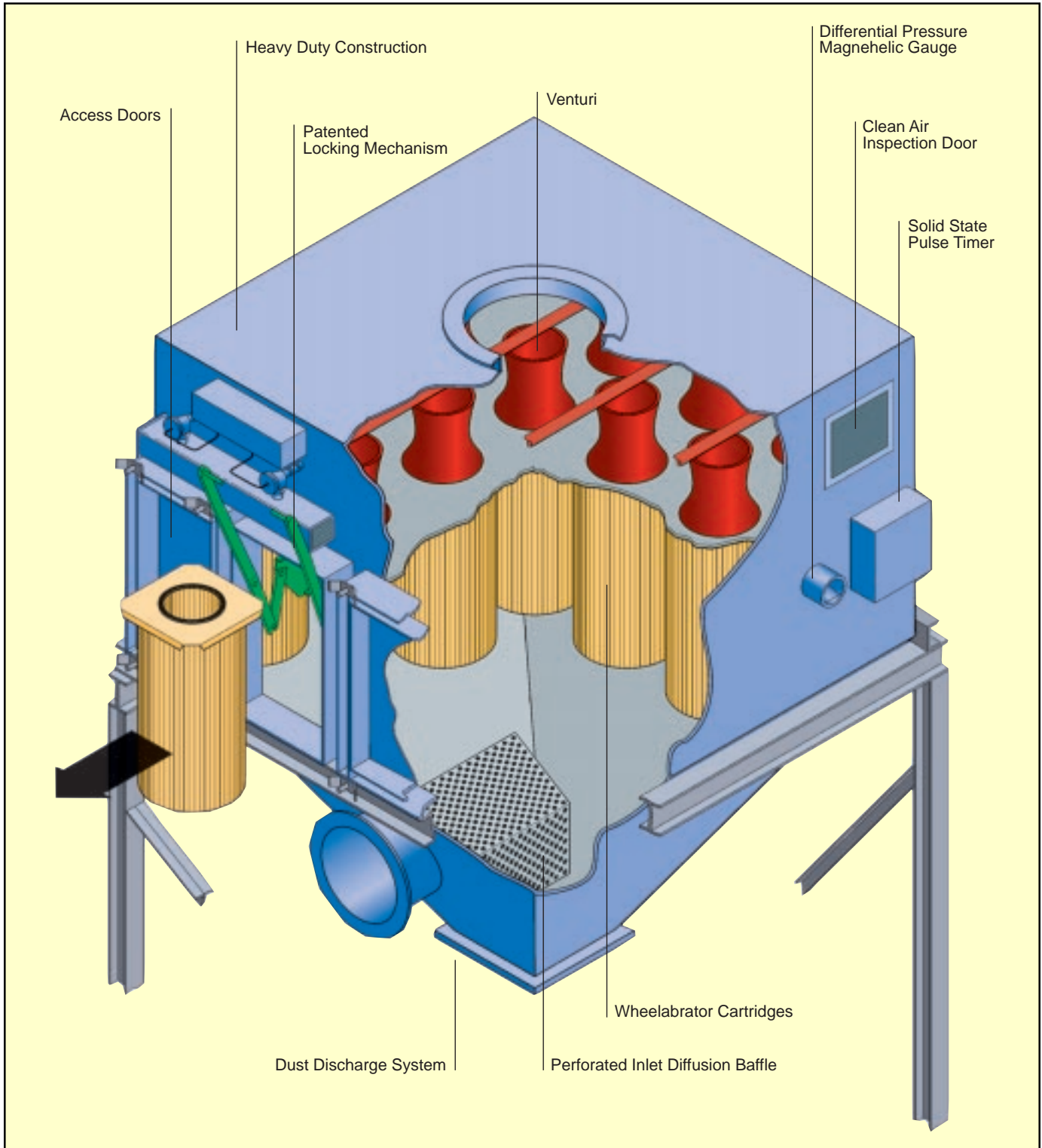


WCC[®]
**Cartridge
Dust
Collectors**



Wheelabrator Air Pollution Control Inc.

Proven Performance



Features

- High collection efficiency
- Low capital cost
- Low installation cost
- External filter maintenance
- Low overall height
- No bags, cages or clamps
- Air recirculation capability
- High temperature applications

Patented Locking Mechanism

Simple, Easy Maintenance

Unlocking the filter lifting mechanism

Filter element replacement is done from outside the unit with no need to enter the collector using a patented locking mechanism

Element changeout

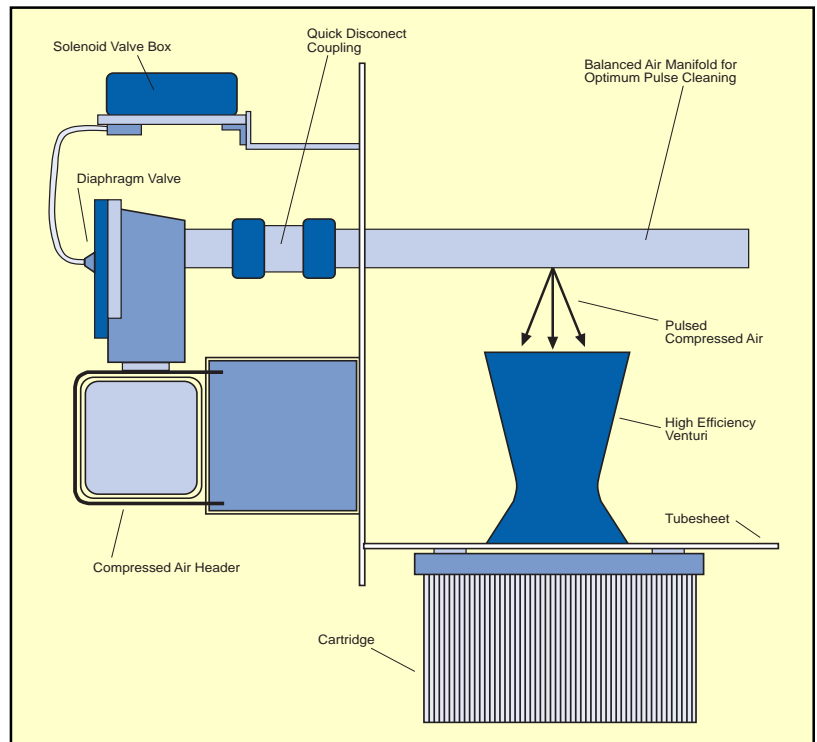
There are no bags, cages, clamps or hardware to be replaced during an element changeout.

Locking filters into position

Sealing the filter element is both simple and positive. The self-locking filter elements facilitate changeout and virtually eliminate dust leakage at the tube sheet seal.

Pulse Cleaning

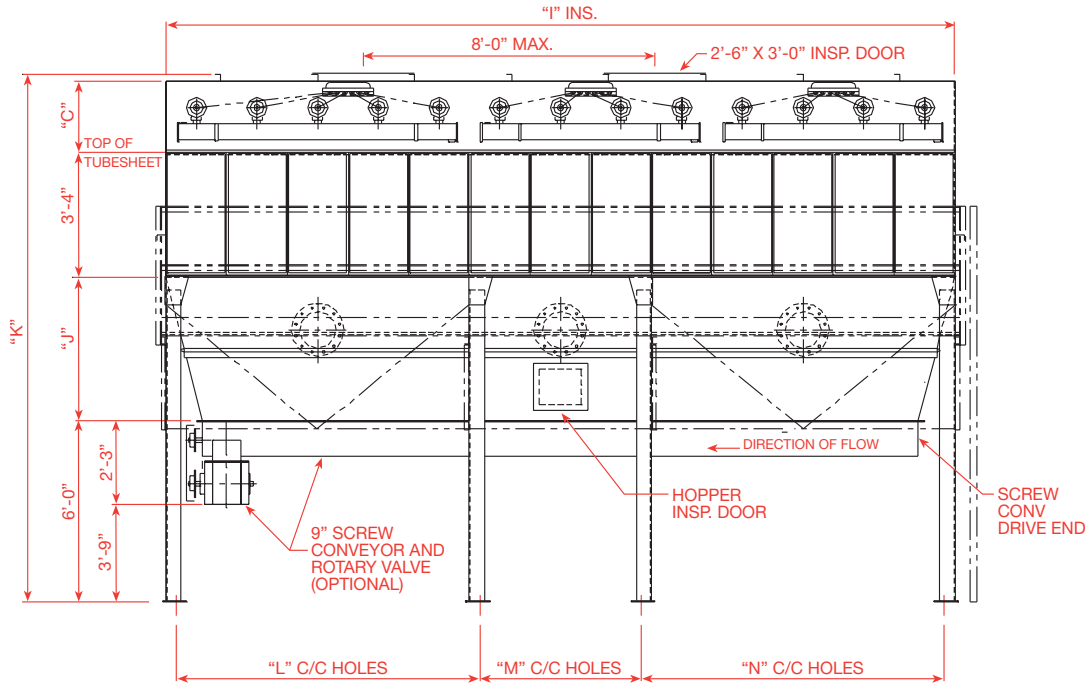
Dust laden air enters the collector and is captured on the outer surface of the pleated filter. Clean air passes through the cartridge to the clean air outlet. The cartridges are cleaned of the collected dust as the pressure increases. The on-line cleaning system consists of a compressed air pulse initiated by a timer and activated through a solenoid valve. The pulse system has a pressure flow characteristic to give maximum power in a minimum time frame. This stops air flow through the element in the filtering mode and reverses the flow to dislodge the collected dust.



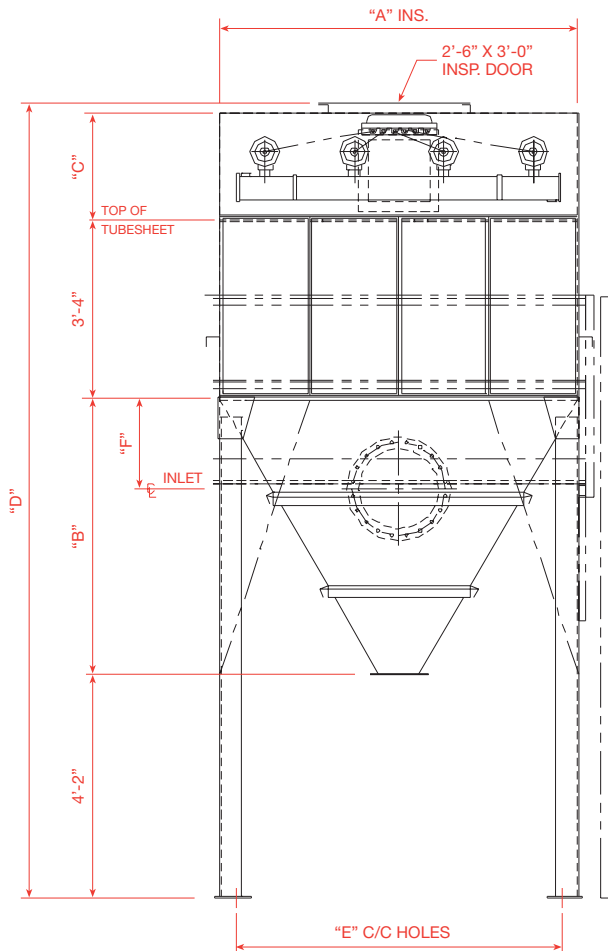


WCC

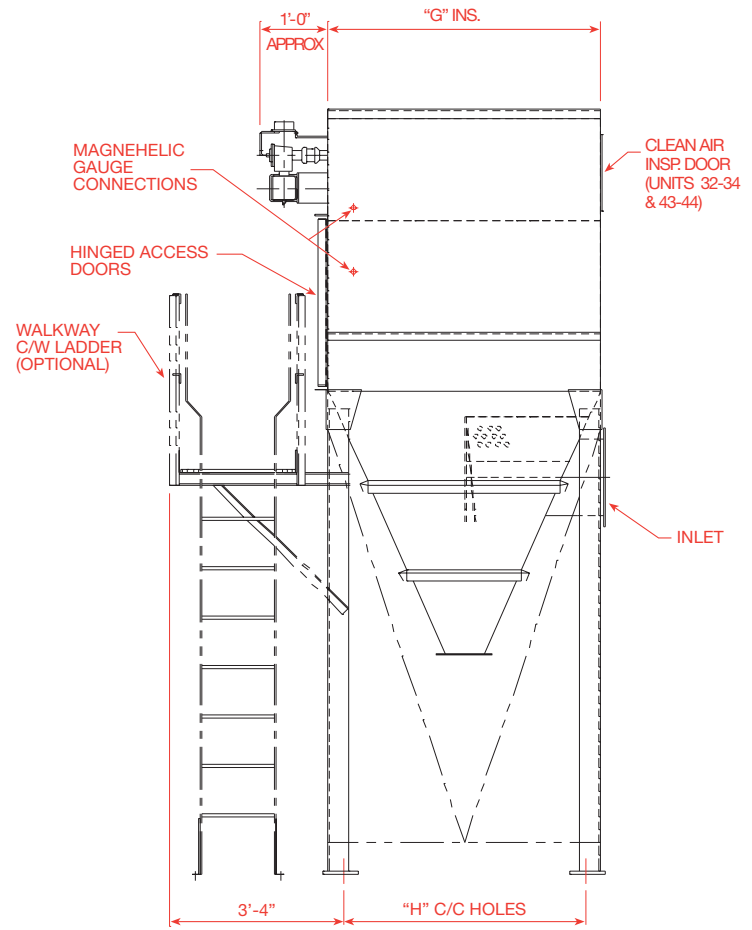
Series 3
Series 4
Series 5



Front View Trough Hopper



Front View Pyramidal Hopper



End View Pyramidal & Trough

SERIES 3 – Pyramidal Hopper

Unit	No. of Hoppers	No. of Filter Elements	Shipping Wt Approx	"A"	"B"	"C"	"D"	"E"	"F"	"G"	"H"
32	1	6	1450	3'-4"	2'-9 3/4"	2'-0"	12'-5 7/8"	2'-9"	1'-2"	4'-0"	3'-5"
33	1	9	1800	5'-0"	2'-9 3/4"	2'-0"	12'-5 7/8"	4'-5"	1'-2"	4'-0"	3'-5"
34	2	12	2300	6'-8"	2'-9 3/4"	2'-0"	12'-5 7/8"	6'-1"	1'-2"	4'-0"	3'-5"
35	2	15	2900	8'-4"	2'-9 3/4"	2'-0"	12'-5 7/8"	7'-11"	1'-2"	4'-0"	3'-5"
36	2	18	3250	10'-0"	2'-9 3/4"	2'-0"	12'-5 7/8"	9'-5"	1'-2"	4'-0"	3'-5"
37	3	21	3800	11'-8"	2'-9 3/4"	2'-0"	12'-5 7/8"	11'-1"	1'-2"	4'-0"	3'-5"
38	3	24	4150	13'-4"	2'-9 3/4"	2'-0"	12'-5 7/8"	12'-9"	1'-2"	4'-0"	3'-5"
39	3	27	4550	15'-0"	2'-9 3/4"	2'-0"	12'-5 7/8"	14'-5"	1'-2"	4'-0"	3'-5"

SERIES 3 – Trough Hopper

Unit	No. of Filter Elements	Shipping Wt Approx	"C"	"G"	"H"	"I"	"J"	"K"	"L"	"M"	"N"
310	30	5150	2'-0"	4'-0"	3'-5"	16'-8"	2'-9 3/4"	14'-3 7/8"	8'-4 1/8"	—	7'-8 7/8"
311	33	5550	2'-0"	4'-0"	3'-5"	18'-4"	2'-9 3/4"	14'-3 7/8"	10'-0 1/8"	—	7'-8 7/8"
312	36	5950	2'-0"	4'-0"	3'-5"	20'-0"	2'-9 3/4"	14'-3 7/8"	10'-0 1/8"	—	9'-4 7/8"
313	39	6650	2'-0"	4'-0"	3'-5"	21'-8"	2'-9 3/4"	14'-3 7/8"	8'-4"	4'-5"	8'-4"
314	42	7050	2'-0"	4'-0"	3'-5"	23'-4"	2'-9 3/4"	14'-3 7/8"	10'-0"	2'-9"	10'-0"
315	45	7450	2'-0"	4'-0"	3'-5"	25'-0"	2'-9 3/4"	14'-3 7/8"	10'-0"	4'-5"	10'-0"
316	48	7900	2'-0"	4'-0"	3'-5"	26'-8"	2'-9 3/4"	14'-3 7/8"	10'-0"	6'-1"	10'-0"
317	51	8300	2'-0"	4'-0"	3'-5"	28'-4"	2'-9 3/4"	14'-3 7/8"	10'-0"	7'-9"	10'-0"
318	54	8700	2'-0"	4'-0"	3'-5"	30'-0"	2'-9 3/4"	14'-3 7/8"	10'-0"	9'-5"	10'-0"
319	57	9100	2'-0"	4'-0"	3'-5"	31'-8"	2'-9 3/4"	14'-3 7/8"	10'-0"	11'-1"	10'-0"
320	60	9500	2'-0"	4'-0"	3'-5"	33'-4"	2'-9 3/4"	14'-3 7/8"	10'-0"	12'-9"	10'-0"

SERIES 4 – Pyramidal Hopper

Unit	No. of Hoppers	No. of Filter Elements	Shipping Wt Approx	"A"	"B"	"C"	"D"	"E"	"F"	"G"	"H"
43	1	12	2300	5'-0"	3'-10 3/4"	2'-0"	13'-6 7/8"	4'-5"	1'-5"	5'-3"	4'-8"
44	1	16	3000	6'-8"	5'-1 1/2"	2'-0"	14'-9 5/8"	6'-1"	1'-8"	5'-3"	4'-8"
45	1	20	3700	8'-4"	6'-6 13/16"	2'-0"	16'-2 15/16"	7'-9"	2'-2"	5'-3"	4'-8"
46	1	24	4150	10'-0"	8'-0 1/8"	2'-0"	17'-8 1/4"	9'-5"	2'-8"	5'-3"	4'-8"
47	3	28	4850	11'-8"	3'-10 3/4"	2'-0"	13'-6 7/8"	11'-1"	1'-5"	5'-3"	4'-8"
48	3	32	5350	13'-4"	3'-10 3/4"	2'-0"	13'-6 7/8"	12'-9"	1'-5"	5'-3"	4'-8"
49	3	36	5850	15'-0"	3'-10 3/4"	2'-0"	13'-6 7/8"	14'-5"	1'-5"	5'-3"	4'-8"

SERIES 4 – Trough Hopper

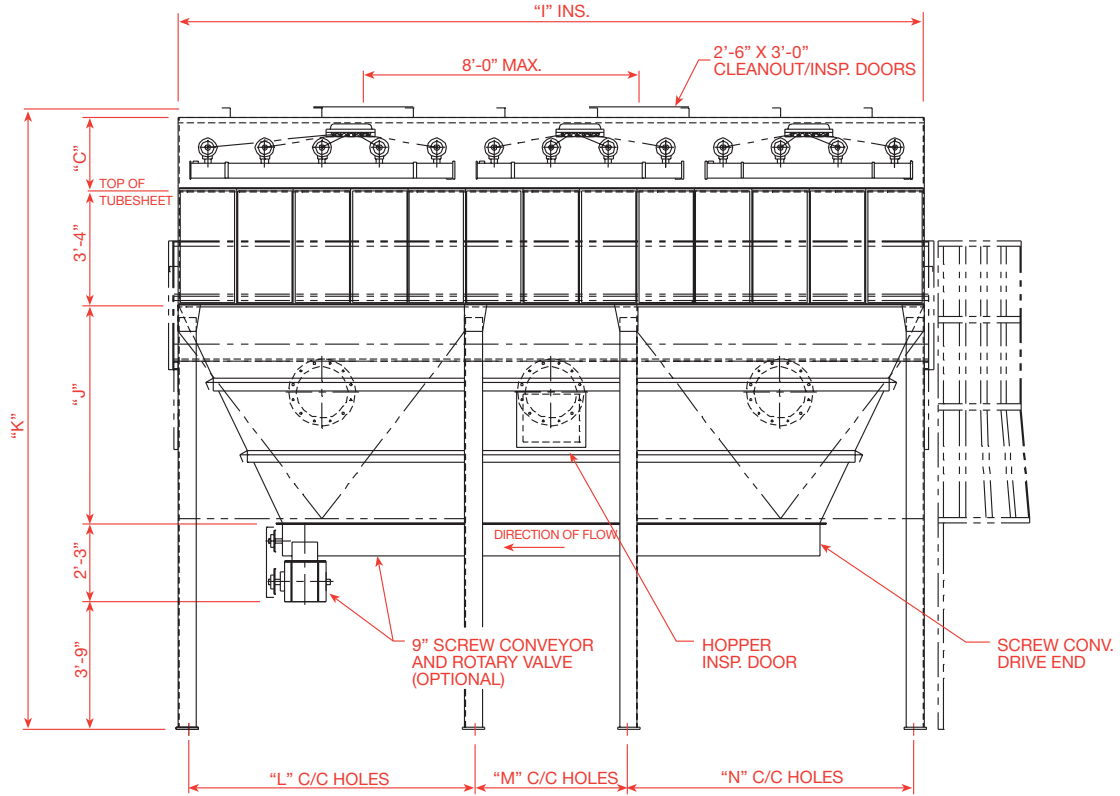
Unit	No. of Filter Elements	Shipping Wt Approx	"C"	"G"	"H"	"I"	"J"	"K"	"L"	"M"	"N"
410	40	6700	2'-0"	5'-3"	4'-8"	16'-8"	3'-10 3/4"	15'-4 7/8"	8'-4 1/8"	—	7'-8 7/8"
411	44	7250	2'-0"	5'-3"	4'-8"	18'-4"	3'-10 3/4"	15'-4 7/8"	10'-0 1/8"	—	7'-8 7/8"
412	48	7800	2'-0"	5'-3"	4'-8"	20'-0"	3'-10 3/4"	15'-4 7/8"	10'-0 1/8"	—	9'-4 7/8"
413	52	9000	2'-0"	5'-3"	4'-8"	21'-8"	3'-10 3/4"	15'-4 7/8"	8'-4"	4'-5"	8'-4"
414	56	9500	2'-0"	5'-3"	4'-8"	23'-4"	3'-10 3/4"	15'-4 7/8"	10'-0"	2'-9"	10'-0"
415	60	10050	2'-0"	5'-3"	4'-8"	25'-0"	3'-10 3/4"	15'-4 7/8"	10'-0"	4'-5"	10'-0"
416	64	10550	2'-0"	5'-3"	4'-8"	26'-8"	3'-10 3/4"	15'-4 7/8"	10'-0"	6'-1"	10'-0"
417	68	11100	2'-0"	5'-3"	4'-8"	28'-4"	3'-10 3/4"	15'-4 7/8"	10'-0"	7'-9"	10'-0"
418	72	11600	2'-0"	5'-3"	4'-8"	30'-0"	3'-10 3/4"	15'-4 7/8"	10'-0"	9'-5"	10'-0"
419	76	12150	2'-0"	5'-3"	4'-8"	31'-8"	3'-10 3/4"	15'-4 7/8"	10'-0"	11'-1"	10'-0"
420	80	12650	2'-0"	5'-3"	4'-8"	33'-4"	3'-10 3/4"	15'-4 7/8"	10'-0"	12'-9"	10'-0"

SERIES 5 – Pyramidal Hopper

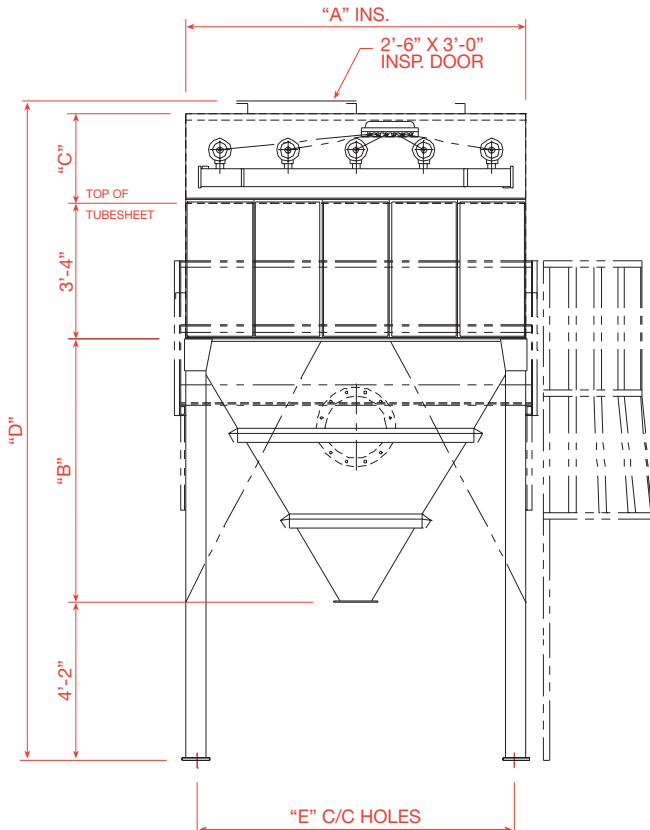
Unit	No. of Hoppers	No. of Filter Elements	Shipping Wt Approx	"A"	"B"	"C"	"D"	"E"	"F"	"G"	"H"
55	1	25	5360	8'-4"	6'-6 3/4"	2'-1 5/8"	16'-4 1/2"	7'-9"	2'-2"	6'-6"	5'-11"
56	1	30	5700	10'-0"	8'-0 1/8"	2'-1 5/8"	17'-9 7/8"	9'-5"	2'-8"	6'-6"	5'-11"
57	1	35	6290	11'-8"	8'-5 11/16"	2'-1 5/8"	18'-3 7/16"	11'-1"	2'-10"	6'-6"	5'-11"

SERIES 5 – Trough Hopper

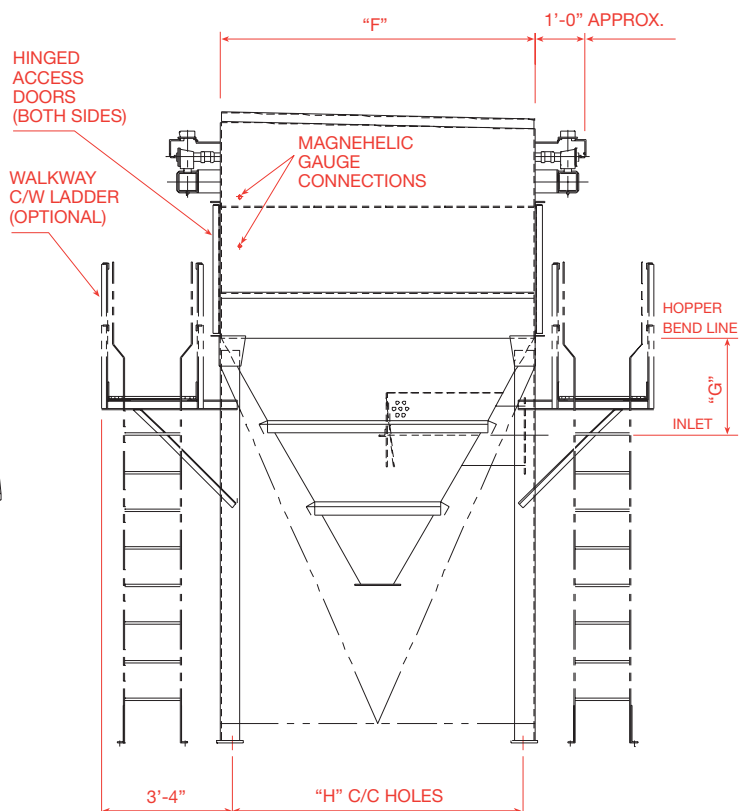
Unit	No. of Filter Elements	Shipping Wt Approx	"C"	"G"	"H"	"I"	"J"	"K"	"L"	"M"	"N"
58	40	6070	2'-1 5/8"	6'-6"	5'-11"	13'-4"	4'-10 3/4"	16'-6 1/2"	—	—	—
59	45	6720	2'-1 5/8"	6'-6"	5'-11"	15'-0"	4'-10 3/4"	16'-6 1/2"	—	—	—
510	50	7370	2'-1 5/8"	6'-6"	5'-11"	16'-8"	4'-10 3/4"	16'-6 1/2"	8'-4 1/8"	—	7'-8 7/8"
511	55	8020	2'-1 5/8"	6'-6"	5'-11"	18'-4"	4'-10 3/4"	16'-6 1/2"	10'-0 1/8"	—	7'-8 7/8"
512	60	8850	2'-1 5/8"	6'-6"	5'-11"	20'-0"	4'-10 3/4"	16'-6 1/2"	10'-0 1/8"	—	9'-4 7/8"
513	65	9680	2'-1 5/8"	6'-6"	5'-11"	21'-8"	4'-10 3/4"	16'-6 1/2"	8'-4"	4'-5"	8'-4"
514	70	10320	2'-1 5/8"	6'-6"	5'-11"	23'-4"	4'-10 3/4"	16'-6 1/2"	10'-0"	2'-9"	10'-0"
515	75	10960	2'-1 5/8"	6'-6"	5'-11"	25'-0"	4'-10 3/4"	16'-6 1/2"	10'-0"	4'-5"	10'-0"
516	80	11610	2'-1 5/8"	6'-6"	5'-11"	26'-8"	4'-10 3/4"	16'-6 1/2"	10'-0"	6'-1"	10'-0"
517	85	12260	2'-1 5/8"	6'-6"	5'-11"	28'-4"	4'-10 3/4"	16'-6 1/2"	10'-0"	7'-9"	10'-0"
518	90	12910	2'-1 5/8"	6'-6"	5'-11"	30'-0"	4'-10 3/4"	16'-6 1/2"	10'-0"	9'-5"	10'-0"
519	95	13560	2'-1 5/8"	6'-6"	5'-11"	31'-8"	4'-10 3/4"	16'-6 1/2"	10'-0"	11'-1"	10'-0"
520	100	14210	2'-1 5/8"	6'-6"	5'-11"	33'-4"	4'-10 3/4"	16'-6 1/2"	10'-0"	12'-9"	10'-0"



Front View Trough Hopper



Front View Pyramidal Hopper



End View Pyramidal & Trough

SERIES 6 – Pyramidal Hopper

Unit	No. of Hoppers	No. of Filter Elements	Shipping Wt Approx	"A"	"B"	"C"	"D"	"E"	"F"	"G"	"H"
65	1	30	5550	8'-4"	6'-6 3/4"	2'-2"	16'-5 7/8"	7'-9"	8'-0 3/16"	2'-6"	7'-5 3/16"
66	2	36	6350	10'-0"	6'-6 3/4"	2'-2"	16'-5 7/8"	9'-5"	8'-0 3/16"	2'-6"	7'-5 3/16"
67	2	42	7200	11'-8"	6'-6 3/4"	2'-2"	16'-5 7/8"	11'-1"	8'-0 3/16"	2'-6"	7'-5 3/16"

SERIES 6 – Trough Hopper

Unit	No. of Filter Elements	Shipping Wt Approx	"C"	"F"	"G"	"H"	"I"	"J"	"K"	"L"	"M"	"N"
68	48	8200	2'-2"	8'-0 3/16"	2'-6"	7'-5 3/16"	13'-4"	6'-3 3/4"	18'-0 7/8"	—	—	—
69	54	9000	2'-2"	8'-0 3/16"	2'-6"	7'-5 3/16"	15'-0"	6'-3 3/4"	18'-0 7/8"	—	—	—
610	60	10500	2'-2"	8'-0 3/16"	2'-6"	7'-5 3/16"	16'-8"	6'-3 3/4"	18'-0 7/8"	8'-4 1/8"	—	7'-8 7/8"
611	66	11250	2'-2"	8'-0 3/16"	2'-6"	7'-5 3/16"	18'-4"	6'-3 3/4"	18'-0 7/8"	10'-0 1/8"	—	7'-8 7/8"
612	72	12100	2'-2"	8'-0 3/16"	2'-6"	7'-5 3/16"	20'-0"	6'-3 3/4"	18'-0 7/8"	10'-0 1/8"	—	9'-4 7/8"
613	78	13550	2'-2"	8'-0 3/16"	2'-6"	7'-5 3/16"	21'-8"	6'-3 3/4"	18'-0 7/8"	8'-4"	4'-5"	8'-4"
614	84	14300	2'-2"	8'-0 3/16"	2'-6"	7'-5 3/16"	23'-4"	6'-3 3/4"	18'-0 7/8"	10'-0"	2'-9"	10'-0"
615	90	15100	2'-2"	8'-0 3/16"	2'-6"	7'-5 3/16"	25'-0"	6'-3 3/4"	18'-0 7/8"	10'-0"	4'-5"	10'-0"
616	96	15900	2'-2"	8'-0 3/16"	2'-6"	7'-5 3/16"	26'-8"	6'-3 3/4"	18'-0 7/8"	10'-0"	6'-1"	10'-0"
617	102	16600	2'-2"	8'-0 3/16"	2'-6"	7'-5 3/16"	28'-4"	6'-3 3/4"	18'-0 7/8"	10'-0"	7'-9"	10'-0"
618	108	17600	2'-2"	8'-0 3/16"	2'-6"	7'-5 3/16"	30'-0"	6'-3 3/4"	18'-0 7/8"	10'-0"	9'-5"	10'-0"
619	114	18300	2'-2"	8'-0 3/16"	2'-6"	7'-5 3/16"	31'-8"	6'-3 3/4"	18'-0 7/8"	10'-0"	11'-1"	10'-0"
620	120	19100	2'-2"	8'-0 3/16"	2'-6"	7'-5 3/16"	33'-4"	6'-3 3/4"	18'-0 7/8"	10'-0"	12'-9"	10'-0"

SERIES 8 – Pyramidal Hopper

Unit	No. of Hoppers	No. of Filter Elements	Shipping Wt Approx	"A"	"B"	"C"	"D"	"E"	"F"	"G"	"H"
85	1	40	7600	8'-4"	8'-5 11/16"	2'-2 5/8"	18'-5 7/16"	7'-9"	10'-6 3/16"	2'-9"	9'-11 3/16"
86	1	48	8600	10'-0"	8'-5 11/16"	2'-2 5/8"	18'-5 7/16"	9'-5"	10'-6 3/16"	2'-9"	9'-11 3/16"
87	1	56	9600	11'-8"	8'-5 11/16"	2'-2 5/8"	18'-5 7/16"	11'-1"	10'-6 3/16"	2'-9"	9'-11 3/16"
88	2	64	10650	13'-4"	8'-5 11/16"	2'-2 5/8"	18'-5 7/16"	12'-9"	10'-6 3/16"	2'-9"	9'-11 3/16"

SERIES 8 – Trough Hopper

Unit	No. of Filter Elements	Shipping Wt Approx	"C"	"F"	"G"	"H"	"I"	"J"	"K"	"L"	"M"	"N"
89	72	12000	2'-2 5/8"	10'-6 3/16"	2'-9"	9'-11 3/16"	15'-0"	8'-5 11/16"	20'-3 7/16"	—	—	—
810	80	14050	2'-2 5/8"	10'-6 3/16"	2'-9"	9'-11 3/16"	16'-8"	8'-5 11/16"	20'-3 7/16"	8'-4 1/8"	—	7'-8 7/8"
811	88	15100	2'-2 5/8"	10'-6 3/16"	2'-9"	9'-11 3/16"	18'-4"	8'-5 11/16"	20'-3 7/16"	10'-0 1/8"	—	7'-8 7/8"
812	96	16150	2'-2 5/8"	10'-6 3/16"	2'-9"	9'-11 3/16"	20'-0"	8'-5 11/16"	20'-3 7/16"	10'-0 1/8"	—	9'-4 7/8"
813	104	18150	2'-2 5/8"	10'-6 3/16"	2'-9"	9'-11 3/16"	21'-8"	8'-5 11/16"	20'-3 7/16"	8'-4"	4'-5"	8'-4"
814	112	19150	2'-2 5/8"	10'-6 3/16"	2'-9"	9'-11 3/16"	23'-4"	8'-5 11/16"	20'-3 7/16"	10'-0"	2'-9"	10'-0"
815	120	20300	2'-2 5/8"	10'-6 3/16"	2'-9"	9'-11 3/16"	25'-0"	8'-5 11/16"	20'-3 7/16"	10'-0"	4'-5"	10'-0"
816	128	21350	2'-2 5/8"	10'-6 3/16"	2'-9"	9'-11 3/16"	26'-8"	8'-5 11/16"	20'-3 7/16"	10'-0"	6'-1"	10'-0"
817	136	22400	2'-2 5/8"	10'-6 3/16"	2'-9"	9'-11 3/16"	28'-4"	8'-5 11/16"	20'-3 7/16"	10'-0"	7'-9"	10'-0"
818	144	23450	2'-2 5/8"	10'-6 3/16"	2'-9"	9'-11 3/16"	30'-0"	8'-5 11/16"	20'-3 7/16"	10'-0"	9'-5"	10'-0"
819	152	24450	2'-2 5/8"	10'-6 3/16"	2'-9"	9'-11 3/16"	31'-8"	8'-5 11/16"	20'-3 7/16"	10'-0"	11'-1"	10'-0"
820	160	25550	2'-2 5/8"	10'-6 3/16"	2'-9"	9'-11 3/16"	33'-4"	8'-5 11/16"	20'-3 7/16"	10'-0"	12'-9"	10'-0"

Wheelabrator Cartridge Media

- Cellulose for temperatures up to 200° F
- Synthetic felts and spun bonded material for temperatures up to 475° F:
 - polyester, acrylic, Nomex®, Ryton®, P-84®
- Variety of filter treatments
 - PTFE membrane, acrylic coating, anti-static, fire retardant
- Special pleat configuration to suit unique dust properties

WCC Cartridge Dust Collectors

Applications

Ferrous & Non-Ferrous Metals

- material handling, transfer points, bucket elevators
- grinders, descalers, crushers
- blast machines, air blast rooms
- casting lines
- metallurgical fumes
- silo bin vents

Mining & Rock Products

- material handling
- ore preparation, crushers, screens
- silo bin vents

Chemical & Food Products

- material handling
- banbury mixers
- silo bin vents

Miscellaneous

- welding fumes
- atmospheric air
- wood dust
- flyash



Wheelabrator Air Pollution Control Inc.

441 Smithfield Street – 5th Floor
Pittsburgh, PA 15222-2292
USA
Phone 412.562.7300
Fax 412.562.7617
E-mail info@wapc.com



Wheelabrator Canada Inc.

401 Wheelabrator Way
Milton, Ontario L9T 4B7
Canada
Phone 905.875.1662
Fax 905.875.1675
E-mail info@wheelabrator.ca